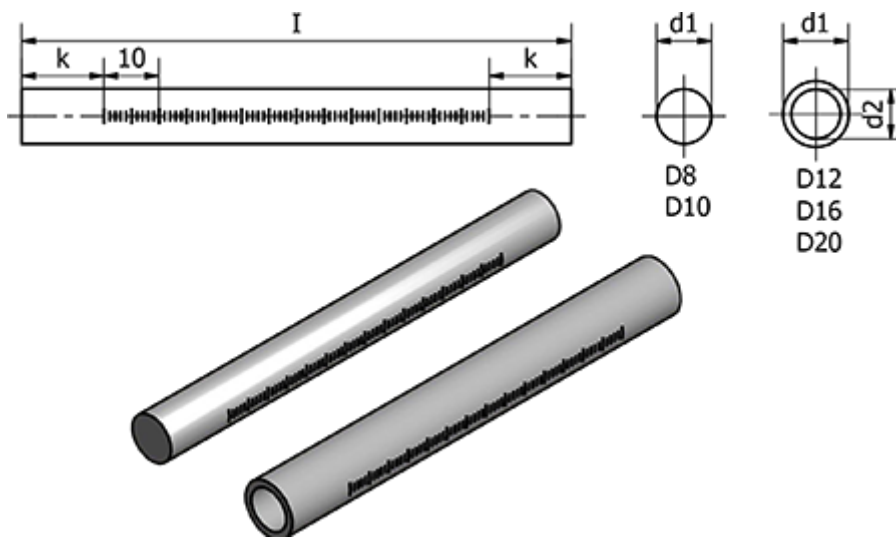


Article number: 204801D12300NIOS

Description: E+G Retaining tube with scales - GN 480.1-D12-300-NI-OS

Measures



$d1$	= 12
$d2$	= 9
l	= 300
k	= 15
Weight (g)	= 112